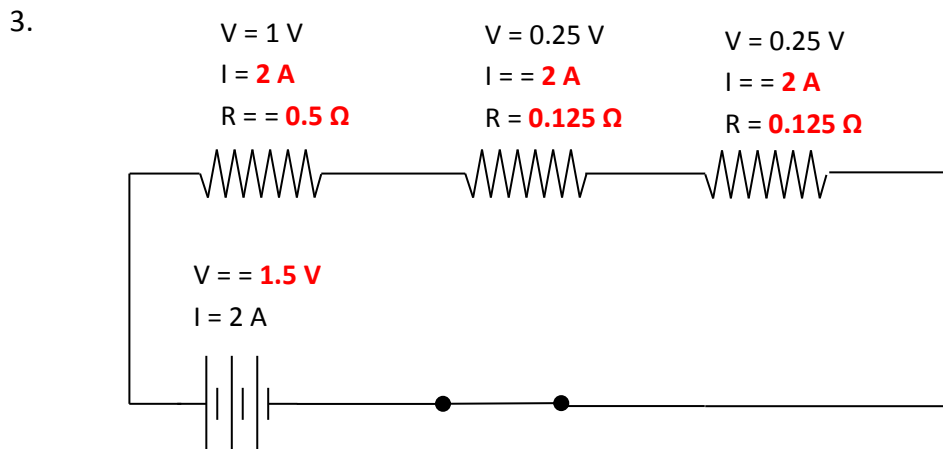
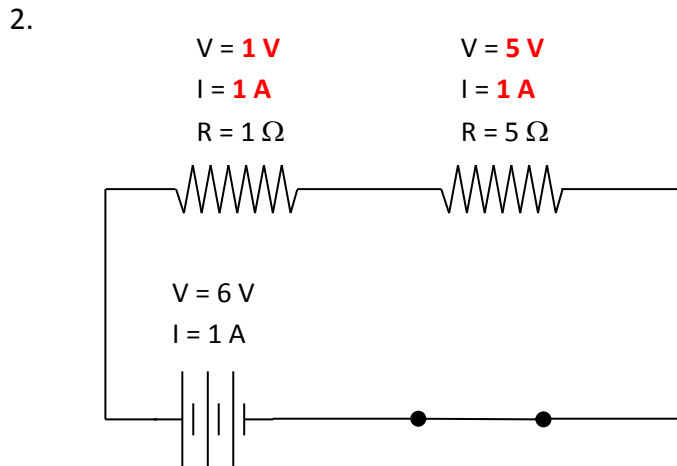
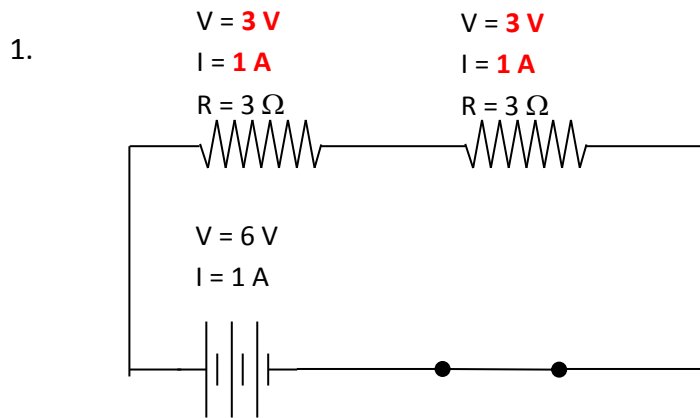
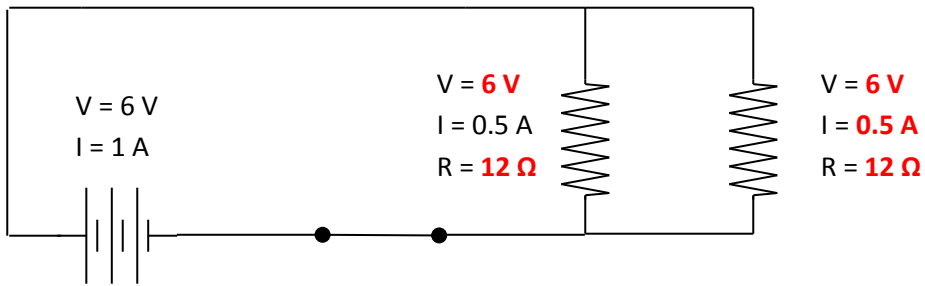


## Voltage, Current and Resistance in Circuits

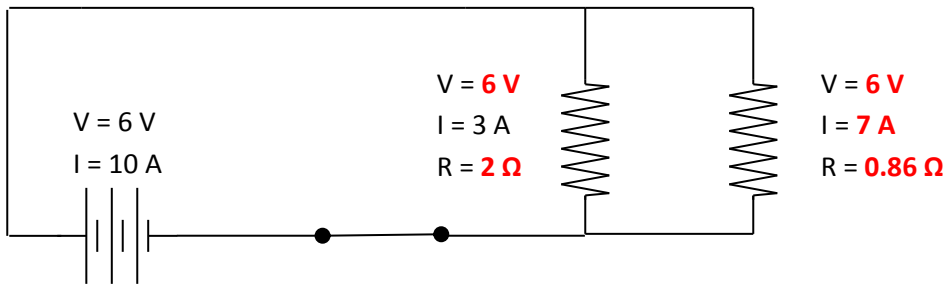
For each of the circuits provided, fill in the current, voltage and resistance as indicated.



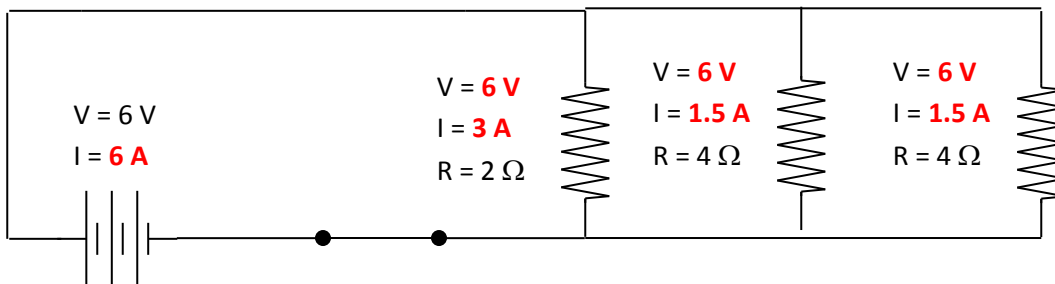
4.



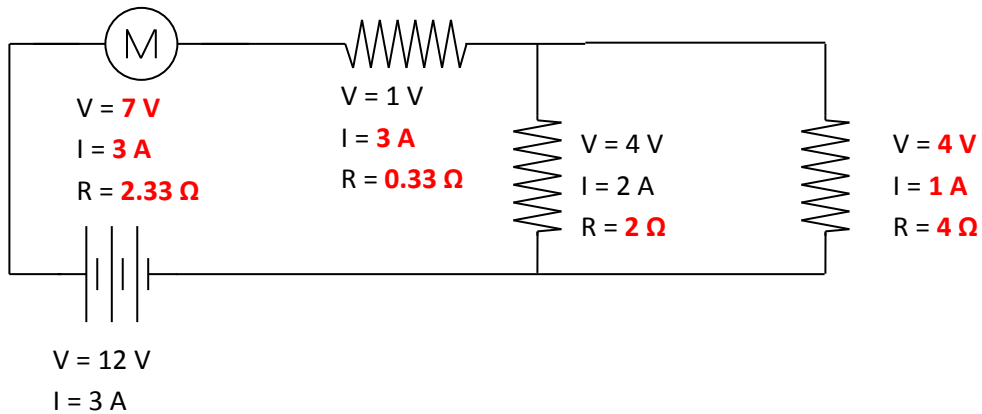
5.

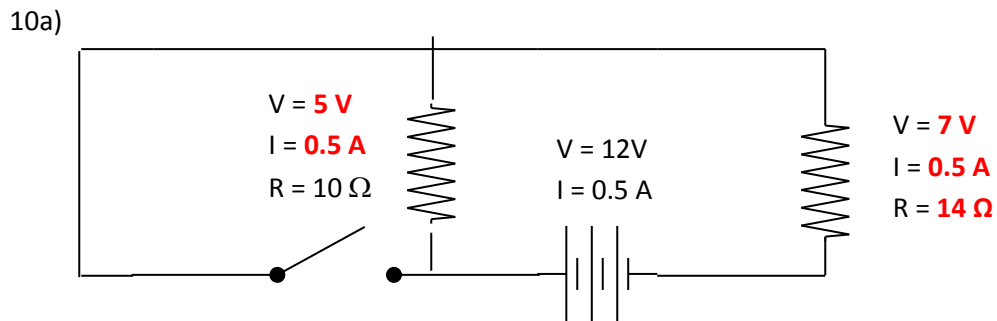
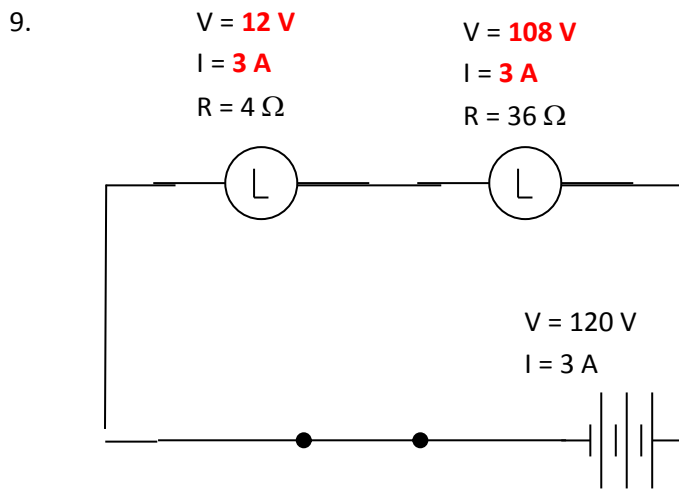
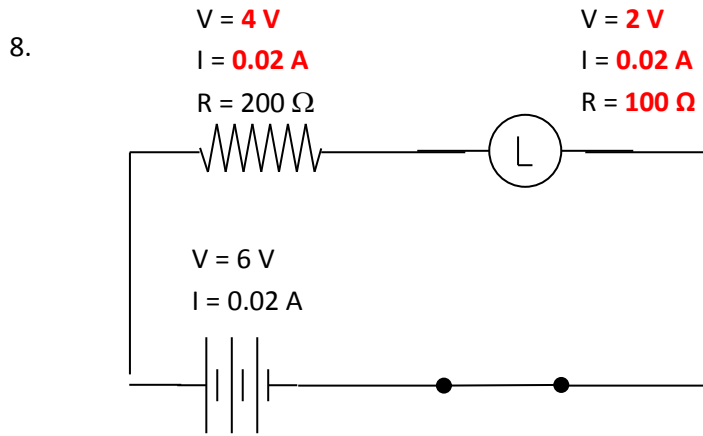


6.



7.





10b) Resolve circuit 10a, but this time for when the switch is closed.

$V = 0 \text{ V}$	$V = 12 \text{ V}$	$V = 12 \text{ V}$
$I = 0 \text{ A}$	$I = 0.5 \text{ A}$	$I = 0.5 \text{ A}$
$R = 10 \Omega$		$R = 24 \Omega$

